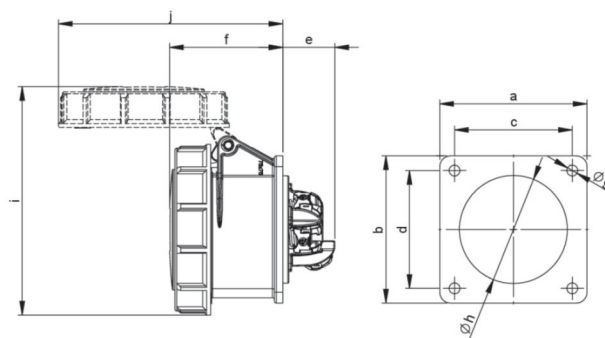
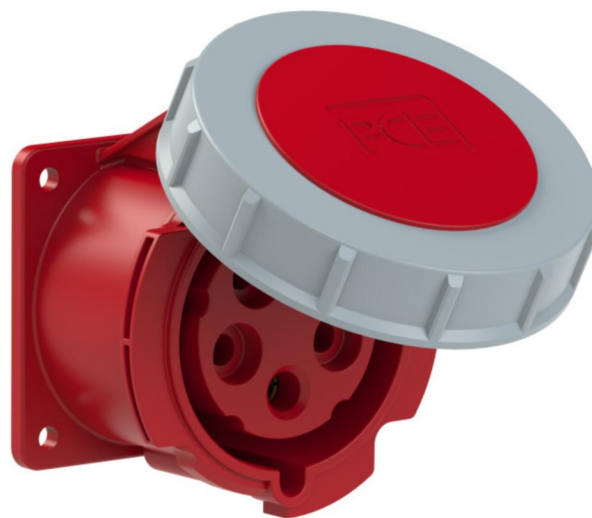


article#	3252-6ttv
article description	CEE-flanged socket straight (75x75mm) 32A 5p 6h IP67 TT
description long	CEE-flanged socket straight (75x75mm) 32A 5p 6h IP67 TT housing material: PA6 rated current: 32A number of poles: 5 (3P+N+PE) clock-position: 6h rated voltage/frequency: 200/346V~ - 240/415V~ / 50+60Hz contacts: brass nickel plated connection technology: screwless terminals (TT) dimensions (flange/fixing center): 75x75 mm / 60x60 mm IP protection class: IP67
GTIN (EAN)	9003399285295
country of origin	AT
customs number	85366990
net weight	0.261 kg
packaging quantity	10
minimum order quantity	10

ETIM 9.0	EC001317
IEC-ampereage	32 A
Voltage according to EN 60309-2	400 V (50+60 Hz) red
Number of poles	5
Clock hour position	6 h
Identification colour	Red
Degree of protection (IP)	IP67
Connection system	Screw less terminal
Angle of plug	Straight
Material	Plastic
Contact material	CuZn
Surface treatment contacts	Nickel-plated
Flange size vertical	75 mm
Drill hole distance vertical	60 mm
Flange size horizontal	75 mm
Drill hole distance horizontal	60 mm

a	75 mm
b	75 mm
c	60 mm
d	60 mm
e	27 mm
f	71 mm
g	5,5 mm
h	58 mm
i	130 mm
j	136 mm
wire flexible	2,5-6 mm ²
wire solid	2,5-10 mm ²
dismantling length	50 mm
stripping length	12-14 mm
ambient temperature	-25 – 40 °C
temperature resistance	-25 – 80 °C
IK-code *)	IK10







<https://www.pcelectric.at/shop/en/?func=detail&artr=3252-6ttv>



*) The IK-test is not part of the IEC 60309 standard for industrial plugs and socket-outlets or the IEC 60884 standard for household plugs and socket-outlets. PC Electric GmbH has therefore tested the IK-codes of these products in accordance with IEC 62262 and according to the test method of IEC 60068-2-75 Ehc, with conditioning for 48 hours at 40°C and a relative humidity of 95%.