



circular conduc. terminal TA2.5 6 x 1.5...35 mm² for 6 cables; 3 units accessory for: 3VA10/11

Model	
product brand name	SETRON
product designation	Circular conductor terminal 6 cables 3 units
accessories	Wire connector
General technical data	
designation / of the terminal	TA2.5
type of electrical connection / with control wire tap	No
Mechanical Design	
Net Weight	344 g
Connections according IEC	
connectable conductor cross-section	
• for copper cable / stranded / minimum	1.5 mm ²
• for copper cable / stranded / maximum	35 mm ²
stripped length	12 / 24 / 39.5 mm
tightening torque / when using copper cables	
• solid	1.5 mm ² : 2.8 Nm, 2.5-10 mm ² : 6.2 Nm, 16 mm ² : 7 Nm
• stranded	1.5 mm ² : 2.8 Nm; 2.5 - 10 mm ² : 6.2 Nm; 16 - 35 mm ² : 7 Nm
• finely stranded	1.5 mm ² : 2.8 Nm, 2.5 - 10 mm ² : 6.2 Nm, 16 - 25 mm ² : 7 Nm
• finely stranded / with core end processing	1.5 mm ² : 2.8 Nm, 2.5 - 10 mm ² : 6.2 Nm, 16 - 25 mm ² : 7 Nm
Connections according UL	
permissible temperature / of connectable conductor / according to UL 486A-486B	75 °C
stripped length	0.47 / 0.9 / 1.55 in
connectable conductor cross-section	
• for copper cable / solid / minimum	14 AWG
• for copper cable / solid / maximum	10 AWG
• for copper cable / stranded / minimum	14 AWG
• for copper cable / stranded / maximum	2 AWG
• for aluminum cable / stranded / minimum	8 AWG
• for aluminum cable / stranded / maximum	2 AWG
tightening torque / when using copper cables	
• solid	14-10 AWG: 55 lb-in
• stranded	14 - 8 AWG: 55 lb-in; 6 - 2 AWG: 62 lb-in
Certificates	
General Product Approval	EMV



[Confirmation](#)

[Miscellaneous](#)



Test Certificates	Maritime application	other		Environment	
Type Test Certificates/Test Report		Confirmation	Miscellaneous	Environmental Confirmations	Environmental Confirmations

Further information

Information on the packaging

<https://support.industry.siemens.com/cs/ww/en/view/109813875>

Information for data generation and storage

<https://support.industry.siemens.com/cs/ww/en/view/109995012>

Information- and Downloadcenter (Catalogs, Brochures,...)

<https://www.siemens.com/lowvoltage/catalogs>

Industry Mall (Online ordering system)

<https://mall.industry.siemens.com/mall/en/en/Catalog/product?mlfb=3VA9113-0JF60>

Service&Support (Manuals, Certificates, Characteristics, FAQs,...)

<https://support.industry.siemens.com/cs/ww/en/ps/3VA9113-0JF60>

Image database (product images, 2D dimension drawings, 3D models, device circuit diagrams, ...)

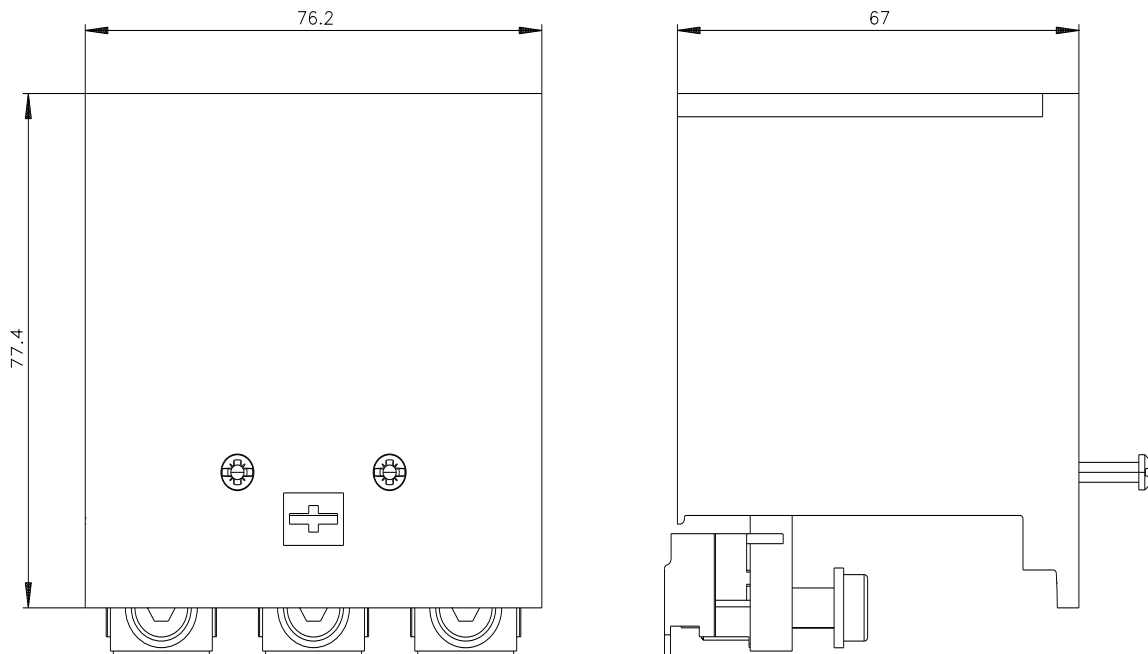
https://www.automation.siemens.com/bilddb/cax_en.aspx?mlfb=3VA9113-0JF60

CAX-Online-Generator

<https://www.siemens.com/cax>

Tender specifications

<https://www.siemens.com/specifications>



last modified:

8/8/2025

