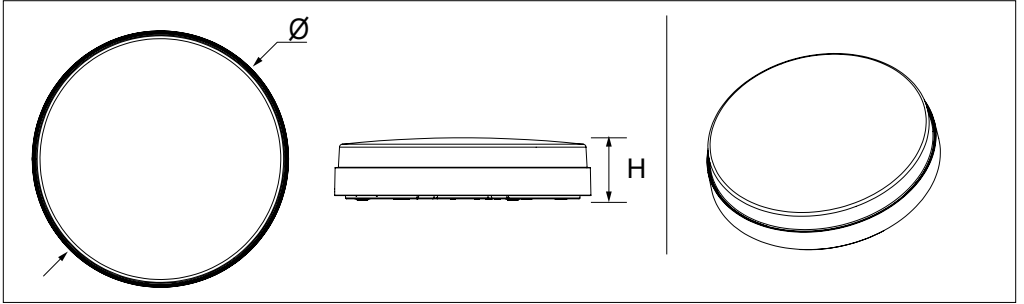


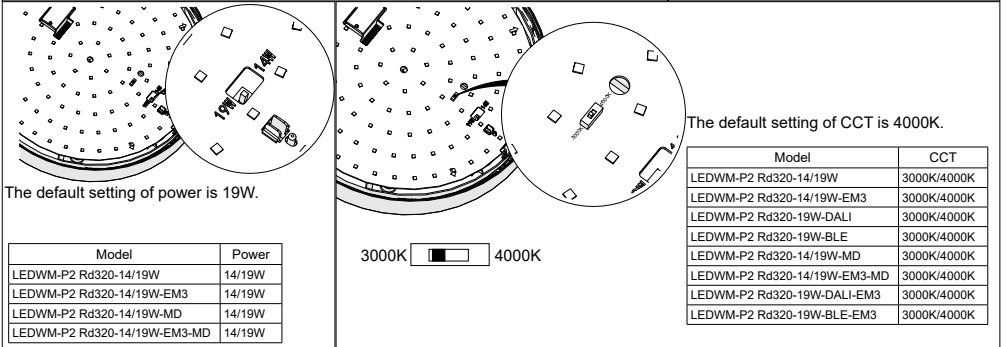
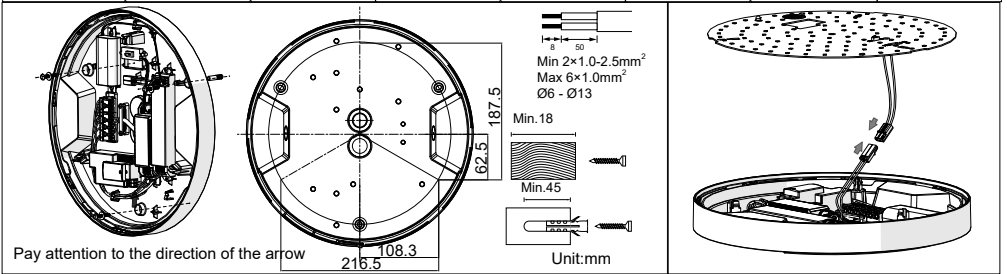
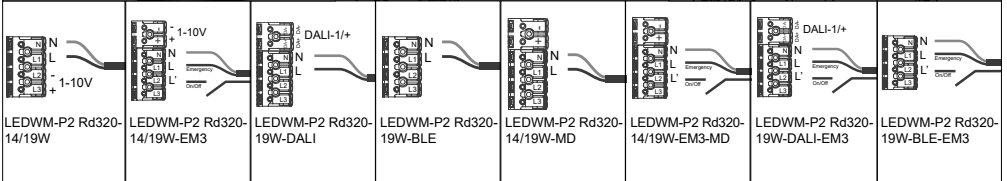
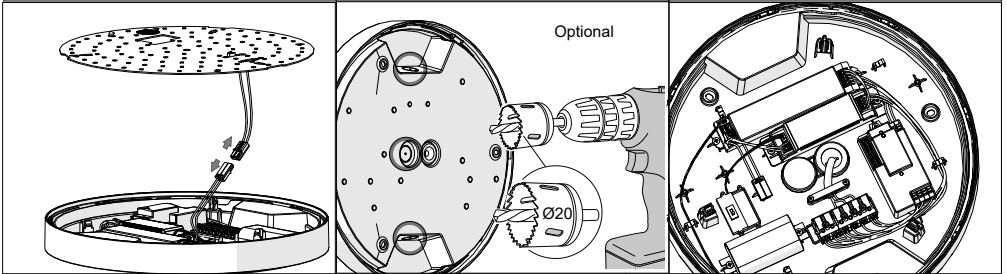
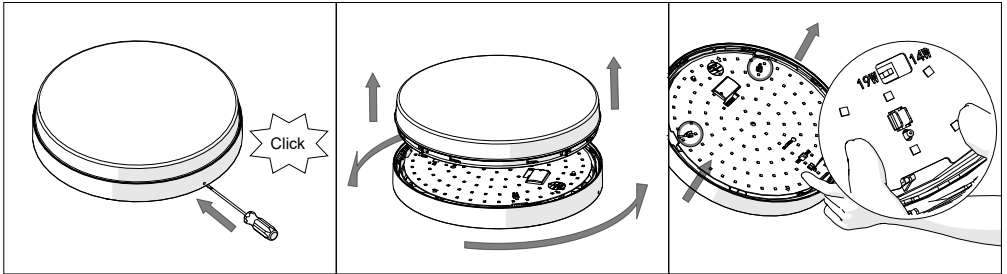
Wall-Mounted Performer G2

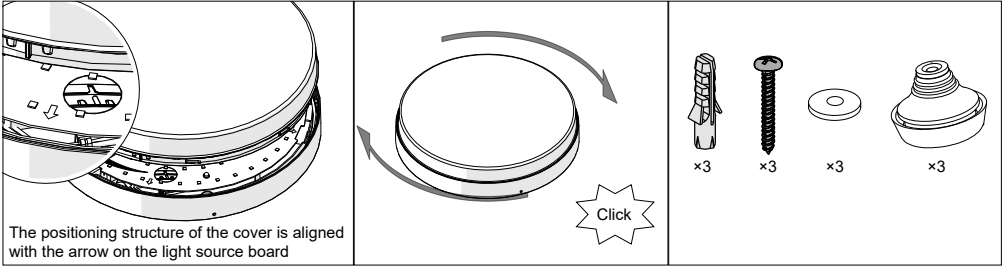


Item Code	Model Name	CCT	(KG)	Ø (mm)	H (mm)	(V~)	(Hz)	Current (A)	Rated Power(W)
531002003100	LEDWM-P2 Rd320-14/19W	3000K/4000K	1.03	320	78	220-240	50/60	0.072/0.091	14/19
531002003200	LEDWM-P2 Rd320-14/19W-EM3	3000K/4000K	1.18	320	78	220-240	50/60	0.083/0.102	14/19
531002003300	LEDWM-P2 Rd320-19W-DALI	3000K/4000K	1.14	320	78	220-240	50/60	0.094	19
531002003400	LEDWM-P2 Rd320-19W-BLE	3000K/4000K	1.14	320	78	220-240	50/60	0.092	19
531002003500	LEDWM-P2 Rd320-14/19W-MD	3000K/4000K	1.12	320	78	220-240	50/60	0.078/0.097	14/19
531002003600	LEDWM-P2 Rd320-14/19W-EM3-MD	3000K/4000K	1.27	320	78	220-240	50/60	0.090/0.109	14/19
531002002400	LEDWM-P2 Rd320-19W-DALI-EM3	3000K/4000K	1.31	320	78	220-240	50/60	0.104	19
531002002500	LEDWM-P2 Rd320-19W-BLE-EM3	3000K/4000K	1.31	320	78	220-240	50/60	0.096	19

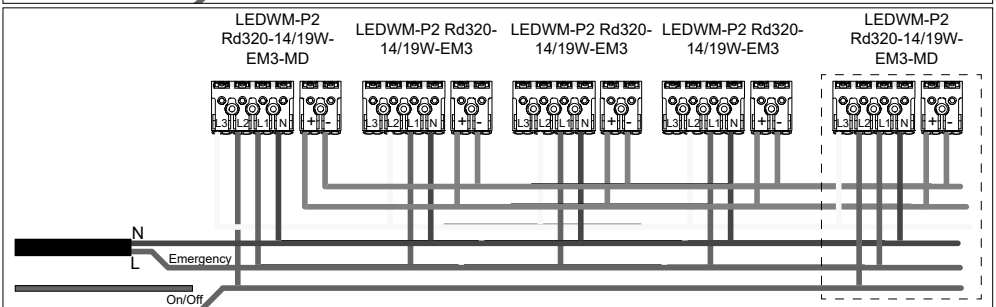
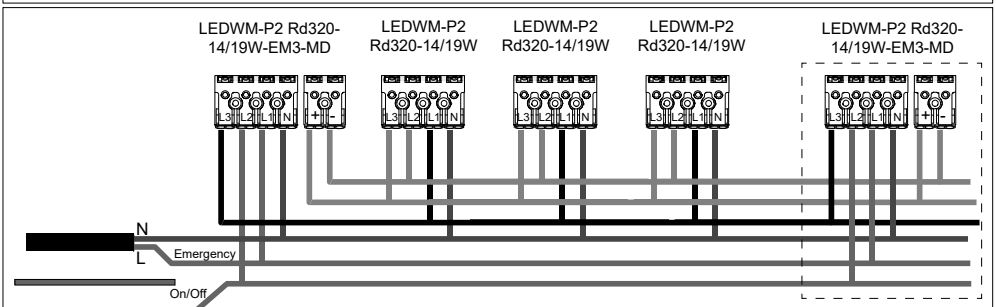
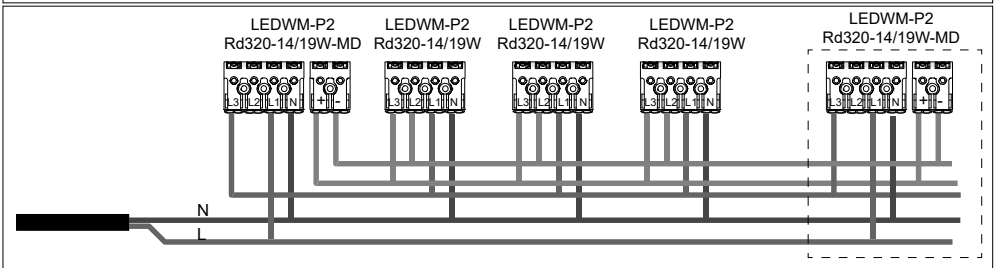
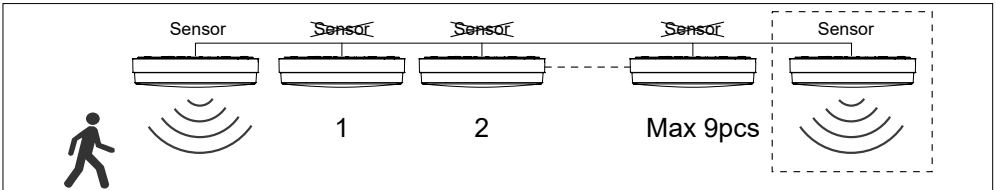
Item Code	Model Name	Lumen Total (lm)	Efficacy (lm/W)	IP Grade	IK Grade	Storage Environmen (°C)	Application Temperature (°C)
531002003100	LEDWM-P2 Rd320-14/19W	1960/ 2660	140	IP65	IK10	-30~60	-25~50
531002003200	LEDWM-P2 Rd320-14/19W-EM3	1960/ 2660	140	IP65	IK10	-20~40	0~40
531002003300	LEDWM-P2 Rd320-19W-DALI	2660	140	IP65	IK10	-30~60	-20~50
531002003400	LEDWM-P2 Rd320-19W-BLE	2660	140	IP65	IK10	-30~60	-20~50
531002003500	LEDWM-P2 Rd320-14/19W-MD	1960/ 2660	140	IP65	IK10	-30~60	-25~50
531002003600	LEDWM-P2 Rd320-14/19W-EM3-MD	1960/ 2660	140	IP65	IK10	-20~40	0~40
531002002400	LEDWM-P2 Rd320-19W-DALI-EM3	2660	140	IP65	IK10	-20~40	0~40
531002002500	LEDWM-P2 Rd320-19W-BLE-EM3	2660	140	IP65	IK10	-20~40	0~40

Item Code	Model Name	N	Energy Label	Light source code	QR Code
531002003100	LEDWM-P2 Rd320-14/19W	1		LS126001832	
531002003200	LEDWM-P2 Rd320-14/19W-EM3	1			
531002003300	LEDWM-P2 Rd320-19W-DALI	1			
531002003400	LEDWM-P2 Rd320-19W-BLE	1			
531002003500	LEDWM-P2 Rd320-14/19W-MD	1			
531002003600	LEDWM-P2 Rd320-14/19W-EM3-MD	1			
531002002400	LEDWM-P2 Rd320-19W-DALI-EM3	1			
531002002500	LEDWM-P2 Rd320-19W-BLE-EM3	1			

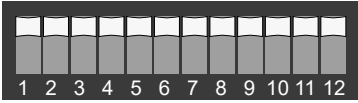




Master/Slave function



Microwave Sensor-Description

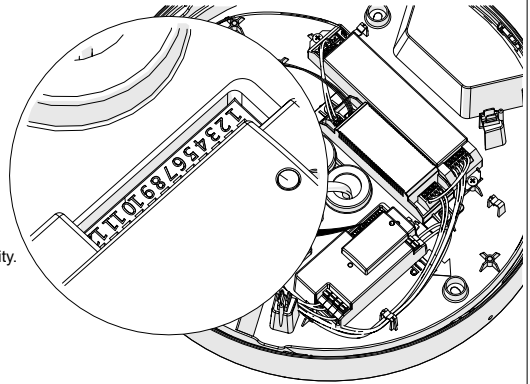


Detection area

In this area, movement will be detected and able to trigger the sensor. 100% detection area is also known as the strong sensitivity.



●	●	100%
●	○	75%
○	●	50%
○	○	10%



Hold-time

The period of light keeping 100% brightness after moving objects leave the detection area.



●	●	●	5s
○	●	●	30s
●	●	○	60s
○	○	●	5min
○	●	○	10min
●	○	○	20min
○	○	○	30min

Daylight threshold

Definition of the ambient brightness; only when the ambient brightness is lower than the preset specific lux amount, the sensor will work; when it's preset as "disable", the sensor works everytime it detects motion regardless the ambient brightness.



●	●	Disable
●	○	50lux
○	●	10lux
○	○	2lux

Stand-by period

The period of light keeping low output before it's completely switched off. When it's preset as "+∞", the light always keeps at low output if no movement in the detection area and doesn't turn off.



●	●	●	0s
○	●	●	10s
●	●	○	1min
○	○	●	10min
○	●	○	30min
●	○	○	60min
○	○	○	+∞

Stand-by dimming level

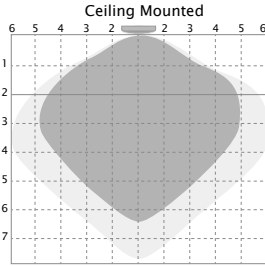


●	●	10%
●	○	20%
○	●	30%
○	○	50%

Detection coverage

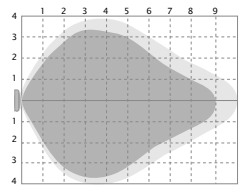
This figure indicates the maximum distance at the highest mounting height with 100% sensitivity.
Typical installation height 2.5-6m

Mounting height



Wall Mounted

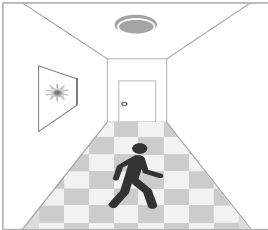
Mounting height



Well covered Covered

1. Automatic ON/OFF function:

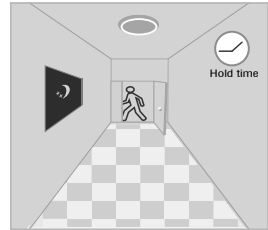
Light on when detect movement and off after people leave at night. Applications: Corridor, Staircase.



With sufficient daylight, even when motion detected, light remains OFF.



With insufficient daylight, when motion detected, light ON.



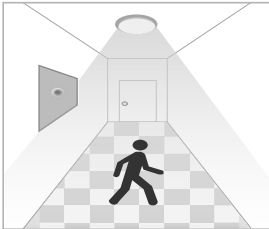
After the last detection and the present hold time elapsed, light OFF.

2. No daylight function

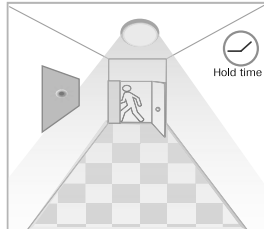
The daylight setting is set to "Disable".

Light on when detect movement. After people leave, Light off after hold time.

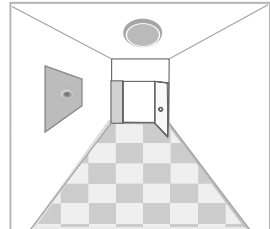
Applications: Basement Parking, Underpass.



When motion is detected, the sensor will switch on the light to 100% brightness.



After people leave the detection area, light remains 100% brightness within hold time.



After the last detection and the present hold time elapsed, light OFF.

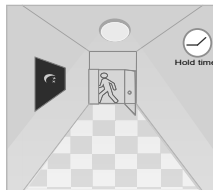
3. 3-step dimming control/Corridor function



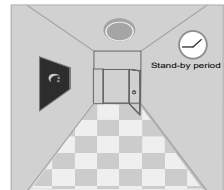
With sufficient daylight, even when motion detected, light remains OFF.



With insufficient daylight, when motion detected, light ON.



After last detection, the light will be dimmed down to the stand-by dimming level (10%, 20%, 30% or 50%) after holdtime.



After the stand-by period, light OFF.

LED Emergency Driver

Application

- For LED module with a forward voltage of 20-60/40-90/50-180Vdc
- Plug-in Lithium Iron Phosphate battery
- 5 years guarantee electronic
- 2 years guarantee battery

Properties

- Maintained/Non-maintained operation
- 1-3h rated duration
- Constant power output, output current self-adjustable
- Electronic charge system
- Deep discharge protection
- Short-circuit-proof battery connection
- Open-circuit-proof
- Polarity reversal protection for battery

Technical Date

Rated supply voltage	220-240VAC
Mains frequency	50/60Hz
Mains input current, min	13mA
Mains input current, max	18mA
Input power in mains operation, min	2W±0%
Input power in mains operation, max	2.2W±0%
Battery charge time	24h
Ambient temperature ta	0°C ~55°C
Max. Casing temperaturetc	55°C
Type of protection	IP20

1. All specifications are typical on the 230VAC unless otherwise stated.
2. The emergency function test must be performed when a battery is fully charged for 24 hours.

Battery Discharge&Charge Specification

Item Code	Battery discharge current Min-Max	Output voltage Min-Max	Output current Min-Max	Emergency power Min-Max	Note
EEC19H-BS/ST-2.5W	700mA-800mA	50Vdc-180Vdc	10mA-35mA	2.2W-2.6W	*EEC19L/M/H EM 2.5W *Measured at 3.2V input from batteries

Item Code	Batteries	Emergency Power	Emergency Duration	Charge Current	Charge Time
EEC19H-ST	3.2V/3000mAh LiFePO4 battery	2.5W	3h	200mA±10%	24h

Note: All specifications are typical at 25°C unless otherwise stated.

Compliance

Safety Category	Countries	Standard
CE	Europe	EN61347-1, EN61347-2-7, EN61347-2-13
EMC Category	Countries	Standard
EMI	Europe	EN 55015
EMS	Europe	EN 61000-3-2, EN 61000-3-3, EN 61547

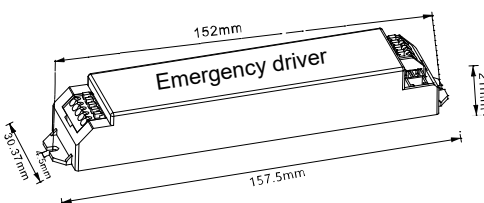
Service Life

Average life-time 50,000 hours under rated conditions with a failure rate of less than 10% for the emergency driver as rated power. Average failure rate of 0.2% per 1000 operating hours.

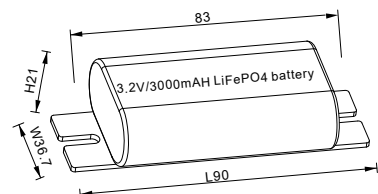
Rohs Compliance

Our products comply with the European Directive 2011/65/EU, calling for the elimination of lead and other hazardous substances from electronic products.

Mechanical Outline



Battery Mechanical Outline



Battery

- High-temperature grade battery cells
- 3.2V LiFeP04 battery
- Male/female socket for simple connection

LiFeP04 Battery

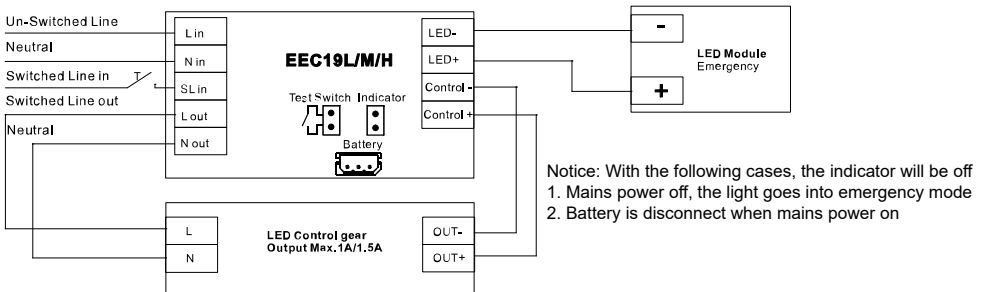
Case temperature range to ensure 5 years design life	0°C to +60°C
Battery voltage	3.2V per cell
Capacity 18650/26650	1500mAh/2000mAh/3000mAh

Notice: Storage condition

- The minimum charging environment temperature of the battery is 5°C, to ensure that the battery can be charged to the nominal capacity
- Batteries should be stored within the specified temperature range in low humidity conditions Optimal storage conditions are:
-Temperature: -20°C to + 40°C
-Humidity: 45% - 85%
- It is recommended to disconnect the battery before storage or delivery
- Battery should be charged every three months in order to keep it's initial performance.

Wiring Diagram

The maximum no-load voltage of the LED Control gear is 400V



Status Indication Green LED

- A green LED indicates that charging current is flowing into the battery

Test Switch

- For checking the device function

Functionality of the test switch

- 1) A short press (>1 s) on the button start a function test lasting 5 seconds (The battery's capacity should be more than 5%=charging 30mins)
- 2) Holding down the button(>10s) resets the timer(System-resets)

Functional test

The 5 second long, each 7 days' function test serves to check the functionality of the emergency unit, the batteries and LED module.

Notice.

-If a mains supply failure occurs while a functional test is in progress, the test shall be postponed and the system shall enter emergency operation. Following restoration of the mains supply, a postponed functional test shall re-commence automatically as soon as conditions permit.

Duration test(EN-3hrs)

-Initial duration test: The test will be carried out exactly 24 hours later after the initial installation.

-Half year duration test: The test will be carried out on each 180-182 days.

Notice.

-A duration test shall only be started when the battery supply is fully charge if a mains supply failure occurs while a duration test is in progress, the test shall be postponed and the system shall enter emergency operation Following restoration of the mains supply, a postponed duration test shall re-commence automatically when the battery supply is fully re-charged

-The indicator will be slow flashing Green within 5 days if the duration test be carried out successfully

Indicator LED System status with a bi-color indicator LED.

LED Indication	Status	Description
Permanent Green	Standby ,System OK	Mains Operation, battery is charged
Fast flashing Green (0.25s on 0.25s off)	Function test underway	Function test underway
Slow flashing Green (1s on 1s off)	Duration test underway	Duration test underway
Permanent Red	Lamp failure	Open Circuit or Short circuit or LED failure
Fast flashing Red (0.25s on 0.25s off)	Battery capacity failure	Battery failed duration test
Slow flashing Red (1s on 1s off)	Battery fault	Incorrect battery voltage or Short circuit or Open Circuit
Green and Red off	Battery Operation	Emergency mode: Mains disconnected or Mains failure

NOTICE

Fault status:

If an error is detected, the indicator LED switches to RED. If the error has been corrected please reconnect the battery after the mains power off, the indicator LED immediately switches back to GREEN when mains power on.

NOTICE

Battery failed duration test:

After an exchange of the battery and holding down the button (>10S) reset the timer, the indicator LED switches to GREEN.

Important:

It is recommended that the unit is installed by a competent person ensuring the installation complies with the necessary standards. The company accept no responsibility for incorrect installation, incorrect operation or improper maintenance

After installation of the fitting, the battery must be charged for 24 hours for duration test.

Application Environment

1. Shall not be installed in the place with all four metal shelters and small space (such as galvanized-iron roof).
2. Shall so as to avoid false trigger caused by the lamp itself shaking.
3. Shall not be installed next to large operating machines such as ventilator/ceil-ing fan to avoid false triggering caused by machine vibration.
4. The sensor might be unwanted triggered in rooms that are small, or mostly filled with metal materials; please try to decrease sensitivity when it happens or contact us for support.

Caution: Any operation on LED module is forbidden while power-on.
Zur Vermeidung von Risiken müssen defekte Leitungen ausschließlich vom Hersteller, Inverkehrbringer oder Fachmann ausgetauscht werden.

Achtung: In betrieb ist keine Arbeit am LED-Modul erlaubt.

For non-user replaceable light sources:

The light source contained in this luminaire shall only be replaced by the manufacture or his service agent or a similar qualified person.

Für nicht vom Benutzer austauschbare Lichtquellen:

Die in dieser Leuchte enthaltene Lichtquelle darf nur vom Hersteller oder seinem Servicevertreter oder einer ähnlich qualifizierten Person ausgetauscht werden.

For use in environments where normal non-conductive/conductive dust accumulation

may be expected, not for use in environments with expected high/unusual dust accumulation.

Zur Verwendung in Umgebungen, in denen mit normaler nichtleitender/leitender Staubansammlung zu rechnen ist, nicht zur Verwendung in Umgebungen mit zu erwartender hoher/ungewöhnlicher Staubansammlung.

